

# Kubota



## KUBOTA DIESEL ZERO-TURN MOWER

# ZD

# ZD326

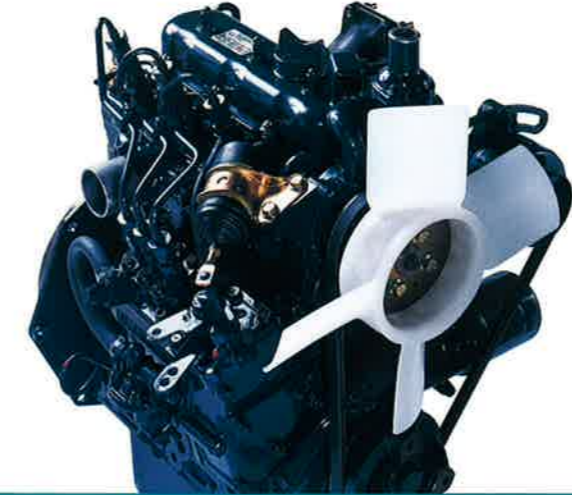
Kubota's ZD-326 zero-turn mower delivers the performance and high quality demanded by commercial operators.





## KUBOTA DIESEL ENGINE

Kubota diesel engines are known for their durability, high performance, energy efficiency and reliability. Kubota diesels offer many advantages over gasoline engines: as much as 30%\* more fuel efficiency, higher torque, fewer emissions and quieter operation, among others. Kubota engines can aggressively take on heavy mowing jobs for extended periods. And, our 26-horsepower engine promises to exceed the high expectations of the commercial landscaper.



### DUAL-ELEMENT AIR CLEANER

Kubota ZD326 mower comes equipped with a dual-element air cleaner which features a vacuum sensor to tell you when to service the air cleaner.



### LARGE FUEL TANK

Kubota has increased the fuel capacity for the ZD326 to 45 L by including two fuel tanks. This allows the operator to work longer and more efficiently without stopping to refuel. This feature is especially handy for those big jobs.



### LARGE RADIATOR

The radiator on the ZD326 mower is built to improve cooling performance and prevent the engine from overheating.

**Cutting grass is the commercial operator's livelihood. And Kubota's ZD326 delivers the power, durability, and performance professionals want.**

KUBOTA DIESEL ZERO-TURN MOWER

# ZD326



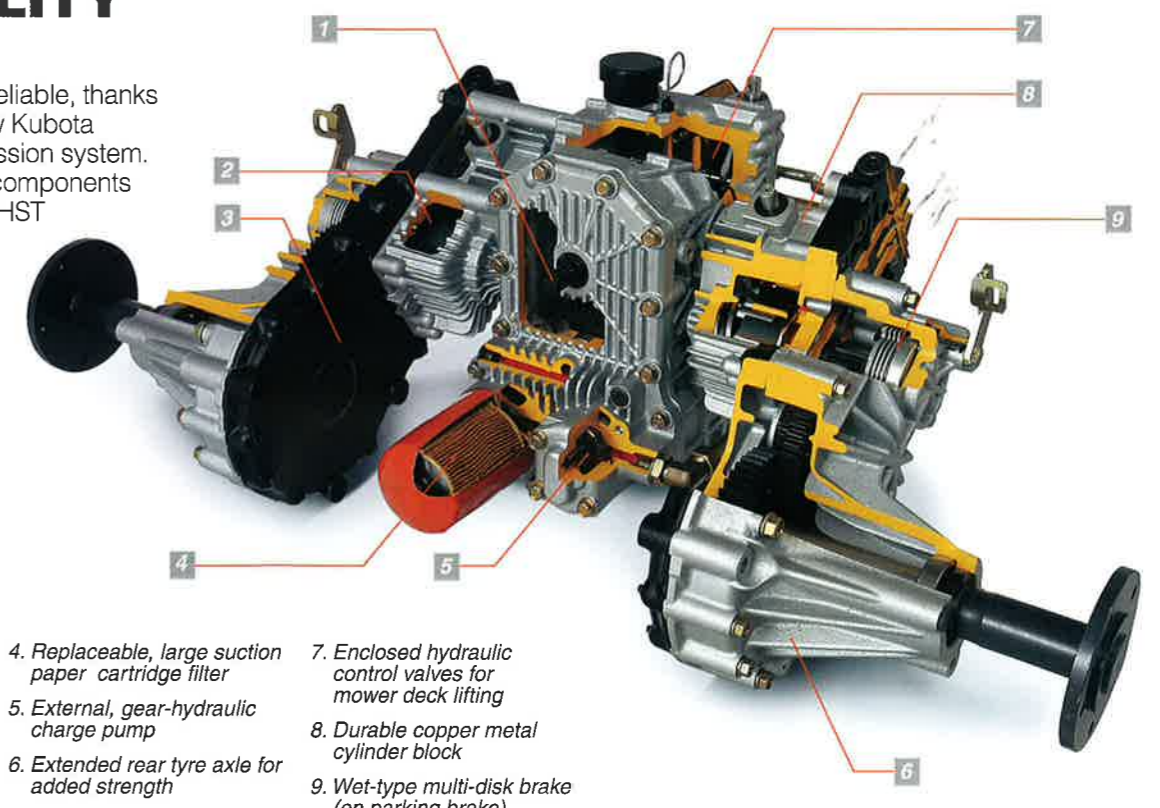
\*Results vary by the engine settings, grass conditions, terrain, etc.



Day in and day out, you need a professional turf mower that handles non-stop use—a mower that's manoeuvrable, cost effective, and loaded with the features to make your job easier. That's why Kubota developed the ZD326 zero-turn commercial mower—to deliver the results your business demands. The ZD326 offers a state-of-the-art Kubota diesel engine, a high-capacity HST transmission, a deep mower deck, and an ultra-comfortable operating area. In short, the ZD326 delivers.

## DURABILITY

The ZD326 is extremely reliable, thanks in no small part to the new Kubota integral-type HST transmission system. It's designed with strong components and the high capacity an HST system needs to assure outstanding commercial mowing performance and productivity.



1. Wet-type hydraulic PTO/clutch; 30% increase in transfer capacity
2. 120% increase in HST capacity
3. Strong casting rear shaft cover
4. Replaceable, large suction paper cartridge filter
5. External, gear-hydraulic charge pump
6. Extended rear tyre axle for added strength
7. Enclosed hydraulic control valves for mower deck lifting
8. Durable copper metal cylinder block
9. Wet-type multi-disk brake (on parking brake)

## COMFORT

The ZD326 boasts a wide array of features designed to make work easier. Wider control levers and a full-flat operator platform allow greater legroom; the angled panel helps to prevent glare for easier indicator and control viewing. In addition, the ZD326 offers an ergonomic, 4-control adjustable seat to prevent fatigue and a conveniently placed cup holder so you can quench your thirst on the job.

### HIGH-BACK DELUXE SUSPENSION SEAT

Outstanding comfort is what you'll feel with Kubota's standard deluxe link-type suspension seat with adjustable armrests. The extra-wide seat features weight adjustment, adjustable armrests, and much more to give the operator a custom fit.



LUMBAR SUPPORT

SUSPENSION SEAT ADJUSTMENT LEVER

RECLINING DIAL



1,098 mm



PARKING BRAKE (Hands-free)

HANDS-FREE HYDRAULIC DECK LIFT

## MOWER DECK

### PRO COMMERCIAL MOWER DECK

To ensure superior cutting performance, even at faster speeds, our newly developed, deeper mower deck utilizes a flat design and our unique new baffling system, which forces grass through all three cutting blades. And, to meet the needs of varying job sizes, the ZD326 mower deck is available in side and rear discharge versions.



NEW  
5.5-inch Deep  
Mower Deck



### ANTI-OVERFLOW SYSTEM

Kubota has enhanced the edges of the mower deck to reduce grass spillage and help keep lawns tidy, particularly in dry conditions.

## MAINTENANCE

Kubota has made maintenance of the ZD326 unbelievably simple. Thanks to a unique maintenance lift system, a tilt-up seat for quick and thorough access to the HST, and new maintenance hatch on the full-flat platform, work can be completed on every key component without difficulty.

### MAINTENANCE LIFT

For routine maintenance underneath the mower, Kubota's unique two-pin, tilt-up, lift feature allows the front of the ZD326 to be easily raised without having to remove the mid-mount mower. The system includes locks for the front tyres to ensure safety. It's like having a built-in jack right there when you need it.



RADIATOR SCREEN



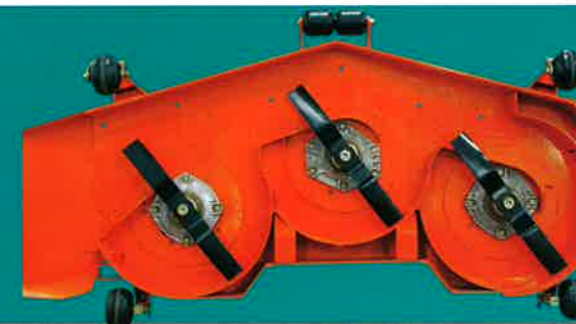
AIR CLEANER INDICATOR



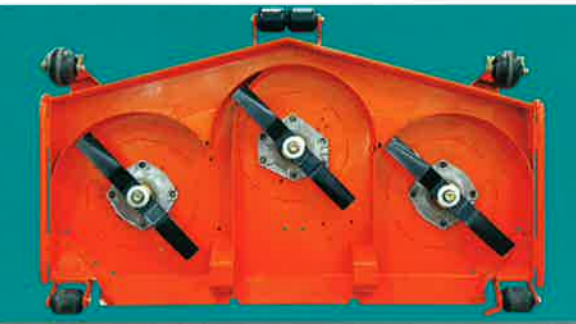
ENGINE COOLANT ALERT



TIE DOWN



SIDE DISCHARGE MOWER  
(AVAILABLE BY SPECIAL ORDER)



REAR DISCHARGE MOWER



### SPINDLE BEARINGS AND PULLEYS

Kubota has improved the durability of the mower pulley holder bearings to provide maximum strength and support.



MULCHING MOWER  
(AVAILABLE AS AN OPTION KIT)



### 1/4" INCREMENT CUTTING HEIGHT ADJUSTMENT

Cutting height can be easily changed, from 1" to 5" in 1/4" increments, with the 1/4" adjustment dial. Located conveniently on the control panel, the adjustment dial is easily accessed to increase or decrease cutting height.



### MOWER LIFT LINK

The ZD326 features stronger lift link components, including an enhanced lift shaft, a thicker lift arm, and a wider shaft diameter.

# Specifications

Model		ZD326
		ZD326-60-EU/ZD326-60R-EU
<b>Engine</b>	Model	Kubota D1005
	Type	Diesel, liquid-cooled (3 cyl.)
	Max. horsepower (Gross)	26HP @ 3200rpm
	Total displacement	1001cc
	Starting system	Key switch - super glow
<b>Dimensions</b>	Overall length	2220 mm
	Overall width	1854 mm (side) / 1604 mm (rear)
	(w/ mower)	1460 mm
	(w/o mower)	1915 mm
Overall height	(w/ ROPS upright)	1555 mm
	(w/ ROPS folded)	1410 mm
<b>Wheel base</b>		975 mm
<b>Tread</b>	Front	1150 mm
	Rear	15 x 6.0-6 pneumatic
<b>Tyre size</b>	Front	26 x 12.0-12
	Rear	771 kg
<b>Weight (w/ mower) (without fuel)</b>		2-HST w/ Gear
<b>Transmission system</b>		2-hand lever
<b>Speed control</b>		0-15.0 km/h
<b>Travel speed range</b>	Forward	0-8.3 km/h
	Reverse	Wet multi disks, foot operated
<b>Brake type</b>		Shaft drive
<b>PTO</b>	Type	Wet multi disk
	Clutch type	Wet single disk
	PTO brake	RCK60P-326Z-EU/RCK60R-326Z-EU
<b>Mower deck</b>	Model	Hydraulic
	Mower lift system	Fabricated deck
	Mower deck type	140 mm
	Deck depth	4.2 mm, 4.6 mm
	Deck steel thickness	Swivel
	Anti-scalp roller	60 in.
	Cutting width of mower	3 blades
	Number of blades	1 in. ~ 5 in. / 1/4 in. increments
	Cutting height	Parallel linkage
	Mounting system of mower	15100 ft/min
	Blade tip speed (max.)	<b>One touch system (weight, armrests, reclining, and lumbar support)</b>
<b>Seat adjustment</b>		Full flat
<b>Step deck</b>		Key stop
<b>Engine stop system</b>		45 ltrs.
<b>Fuel tank capacity</b>		12 Volts, 51R, 450CAA@0°F, 70 min. RC.
<b>Battery</b>		14 Volts 14 Amps
<b>Alternator capacity</b>		Standard
<b>Water temperature indicator</b>		Standard
<b>Hour meter</b>		Standard
<b>Fuel gauge</b>		Electric

The company reserves the right to change the above specifications without notice.  
 This brochure is for descriptive purpose only. Some of the items pictured in this brochure are optional, and not standard equipment.  
 Please contact your local Kubota dealer for warranty, safety or product information.

©2009 Kubota Corporation



## KUBOTA (U.K.) LIMITED

Dormer Road Thame, Oxfordshire, OX9 3UN.  
 Phone Thame (01844) 214500 Fax (01844) 216685  
 E-mail: sales@kubota.co.uk

Web site: <http://www.kubota.co.uk>