



For Earth, For Life  
**Kubota**

**B**

**KUBOTA DIESEL TRACTOR  
B2 SERIES**

**B2231/B2261/B2311**

With the deluxe integrated cab and ROPS, the new B2 Series tractors bring more comfort and luxury to any task.





# Get class-leading luxury and comfort

The new B2 Series tractors take compact tractor capability to the next level with user-friendly operation and outstanding productivity. Equipped with high quality Kubota engines and transmissions, they deliver the extra durability and reliability you need for a wide range of jobs. The deluxe integrated cab delivers spaciousness and an expanded field of vision for luxury that's beyond their class. Whether you're mowing, landscaping or doing light utility work, the B2 Series is the best choice for durability, versatility and comfort.

		ROPS	CAB
B2231	HST	●	●
	Gear	●	-
B2261	HST	●	●
	Gear	●	-
B2311	HST	●	●
	Gear	-	-





omfort with the Kubota B2 series.



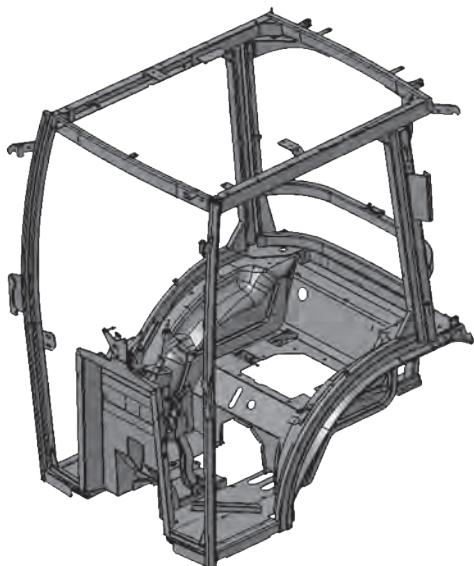
# The deluxe spacious integrated cab

## Luxury &



### New Integrated Cab Design

The B2 Series are the only tractors in their class to feature an integrated cab. The cab and overfenders are integrally welded to the body's sheet metal parts which allow for a 4-pillar construction, with rounded glass, that delivers more cab space and a wider field of vision. The integrated design also eliminates holes in the floor for the pedals for an environment that minimises noise and unwanted dust in the cab, providing greater comfort.



# cab brings more pleasure to any job

## Comfort



### Rear Window Vent Position

The cleverly devised rear window halflock opens just enough for fresh air ventilation while minimising grass, hay and dust entering the cab. It is also useful when talking to people from inside the cab even with the doors closed.



### Spacious & Quiet Cab

The B2 series brings maximum comfort to the operator thanks to its deluxe integrated cab. The 4-pillar design with rounded glass offers more space and panoramic views of your surroundings. Doors open wide for easier entry and exit from the cab. Comfort is also enhanced through better noise insulation for a quieter interior. The interior includes a storage compartment, cup holder, a pocket for an operator's manual and tool box.

### Dust-Resistant Cab

Keep your cab clean and almost dust-free, even after long hours of work. The new integrated cab moves the pedal connections from the floor to the steering column to eliminate any holes in the floor. The cab is constructed to minimise unwanted dust from entering inside.

# More space and extra visibility mix



## Ergonomic Cab Design

The B2 cab is designed for comfortable operation and usability. All levers, controls and compartments have been carefully laid out for the best ease of use and accessibility.

- A** *LOADER LEVER*
- B** *CRUISE CONTROL LEVER*
- C** *3-PT CONTROL LEVER*
- D** *PTO SELECTION LEVER*
- E** *PTO ON/OFF LEVER*
- F** *GEAR SHIFT RANGE LEVER*
- G** *4WD ON/OFF LEVER*

# practicality with comfort.



## 12V Socket & Storage Compartment

Charge your mobile phone or electric devices with the 12-volt socket next to the storage compartment, and make it readily accessible by placing it in the handy storage compartment above the steering wheel while charging.



## Defogger

Standard equipped defogger enhances rear visibility when needed.



## Air Conditioning

With the rounded cab and strategically placed air outlets that optimise air circulation, the air conditioner keeps you cooler on hot days and the heater keeps you warmer on cold days.



## Other Standard Equipment for Cab:

- Speakers
- Interior light

**A** FRONT STORAGE COMPARTMENT

**B** FRONT WIPER

**C** HANGER

**D** CUP HOLDER

**E** STORAGE COMPARTMENT



## Cab Options:

- Halogen rear work lights
- Radio/CD or radio
- Rear wiper

# Smooth functionality that makes ev



- 1 STORAGE COMPARTMENT
- 2 LCD PANEL
- 3 12V SOCKET
- 4 SWITCHES



## User-Friendly Dash Panel

The easy-to-read LCD digital panel offers vital information about the tractor at a glance. Switches are concentrated around the instrument panel for easy access and operation. The handy storage compartment on top of the dash stores small items like a mobile phone or keys.



## Multi Function Valve

B2 series\*1 are equipped with a loader lever which enables the optimal operation of the front loader, since it is fitted as an integral component of the cabin layout and designed as a matched fit.

\*1 Option for Gear model.



## HST Pedal

The HST pedal and the independent brake pedals are situated on the left side of the steering column for more right-side foot space and easier operation.



# Even tough jobs easy.



## Cruise Control (HST Model Only)

Kubota's multi-stage notch-type cruise control keeps your working speed constant.



## Easy-To-Use Lever Layout

For easier access and smoother operation, the levers are logically arranged on the left and right consoles.



## Open Bonnet System

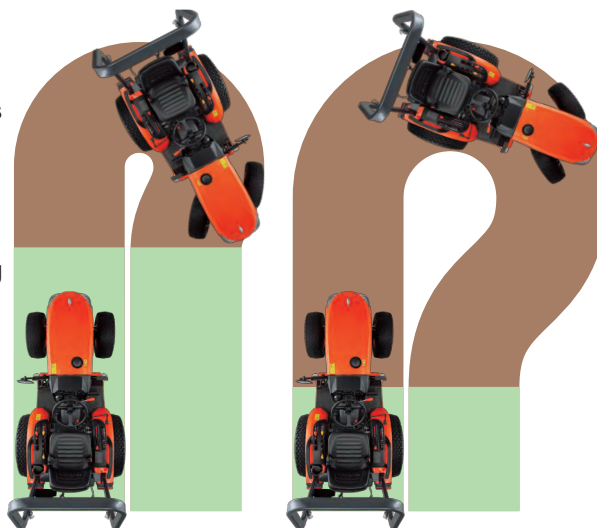
A redesigned bonnet latching system provides greater safety when opening the bonnet for maintenance.

# Enhanced workability and operabil



## Hydraulic Bi-Speed Turn

The B2 Series feature Kubota's innovative Hydraulic Bi-Speed Turn feature, which activates automatically when the front wheel turning angle exceeds 35 degrees. By nearly doubling the front wheel speed over that of the rear wheels, it allows for smoother, faster and tighter turns, and less turf damage. Also, with the use of hydraulics, the durability of the clutch is greatly enhanced.



*Bi-Speed Turn*

*Without Bi-Speed Turn*



## Mid-PTO

The offset PTO allows quick installation and removal of the midmount mower.

## Power Steering

The superior capacity of the fully hydraulic power steering requires significantly less effort at the wheel, for smoother operation.

# ility keep you moving ahead.



**Tool Box**

## **Travel Speed**

Move from location to location quicker. The B2311's engine gross horsepower has been increased to 31 HP and forward travelling speed increased to 25 km/h\*.

\* When equipped with turf tyres.

## **Hydraulic Control Systems**

The position control valve provides easier 3-point hitch control, with adjustments in smaller increments which are often required when attaching/detaching implements or when performing sensitive jobs.

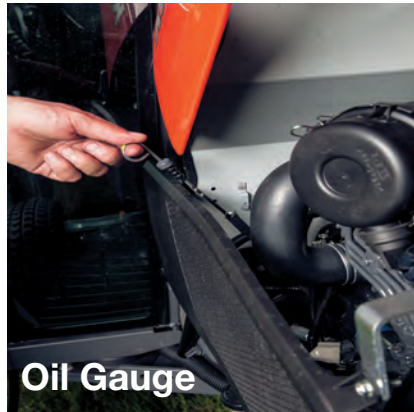
## **PTO Power**

The B2 Series provide the extra strength required for tough tasks with 24.1 HP for the B2311, the highest PTO horsepower ever for a B-Series tractor.

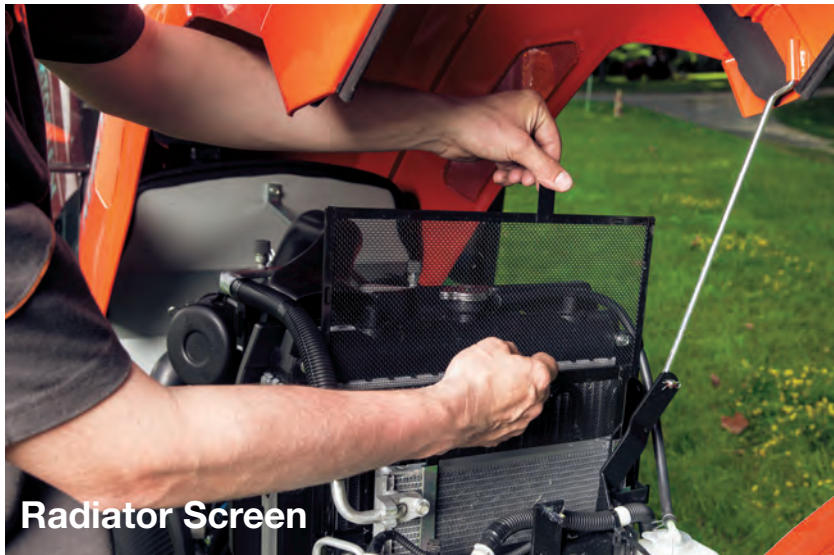
# Keeping your tractor in tip-top condition is now easier than ever.



**Air Filter**



**Oil Gauge**



**Radiator Screen**

## One-Piece Bonnet

The front grille and newly designed headlamps are now integrated with the bonnet for easier opening and closing. This allows smoother access to vital engine components for inspection maintenance such as the AC condenser, radiator and battery.

## Fuel Tank Filler

The fuel tank filler has been shifted from the centre to the right side of the hood to make filling easier.



# Tackle more jobs with a wide choice of powerful and durable implements.



## LA534EC/ LA424EC Front Loader

The LA534EC/LA424EC front loader offers a large lifting capacity, perfect for landscaping or light utility work. The curved boom matches the new bonnet design for a sleek and modern appearance and offers a better field of vision during front loader operations.



### Integrated Loader Valve And Joystick

Loader operations are more convenient with the 3-position valve and control lever. This fully integrated, ergonomically-positioned valve lets you attach the front loader and other front implements quickly and easily. (with cab version)



### Third Function Valve (LA534 Only Optional)

The optional 3rd function valve broadens the scope of the front loader operation by enabling use of a grapple bucket and other hydraulically controlled attachments. The 3rd function valve can be activated with buttons located on the grip of the joystick.



### 2-Lever Quick Coupler (Optional)

Kubota's quick coupler features two levers to make attaching/detaching of front attachments quicker and easier.

## Front Loader Specifications

Model	LA424EC	LA534EC
Tractor Applications	B2231, B2261	B2311
Maximum lift height (to bucket pivot pin) mm	1445	2150
Clearance with attachment dump mm	815	1712
Maximum dump angle deg.	44	38
Max. rollback angle deg.	25	29
Lift capacity (pivot pin) kg	420	520
Raising time sec	2.6	3.4
Lowering time sec	1.8	2.3
Bucket dumping time sec	2.8	3.3
Bucket rollback time sec	1.8	2.5

## MID-MOUNT MOWER

Ultra-sturdy and highly versatile mid-mount mowers with a choice 54-inch or 60-inch cutting widths, feature cutting height adjustments from 1.5 - 4 inch in 0.5 inch increments.

### Mid-Mount Mower Specifications

Model	RCK54-25B-EU	RCK60-25B-EU	RCK60-30B-EU	RC60R-25B-EU	RC60R-30B-EU
Type	Side Discharge			Rear Discharge	
Number of blades	3			3	
Mounting method	Parallel linkage			Parallel linkage	
Cutting width mm	1372	1524		1524	
Cutting height in. (mm)	1.5" to 4.0" (38 to 102)			1.0" to 3.5" (25 to 89)	
Adjustment of cutting height	Gauge wheel			Gauge wheel	
Weight kg	149	160		154	158



**FRONT LOADER**



**TRAILER**



**TOPPER MOWER**

# Specifications

Model	B2231DB		B2231HDB		B2231HDB-C		B2261DB		B2261HDB		B2261HDB-C		B2311HDB		B2311HDB-C			
	Gear		HST		HST		Gear		HST		HST		HST		HST			
<b>Engine</b>																		
Make	Kubota																	
Type	E-TVCS, liquid cooled, 4-cycle diesel																	
Engine power ECE-R24	kW (PS)		15.2 (20.7)				17.6 (23.9)				20.9 (28.4)							
Engine power SAE gross	kW (PS)		16.9 (23.0)				19.1 (26.0)				22.8 (31.0)							
PTO power*1	kW (PS)		13.0 (17.7)		12.5 (17.0)		15.1 (20.5)		14.6 (19.9)		17.4 (23.7)							
No. of cylinders	3												4					
Bore & stroke	mm		78 x 78.4				78 x 88				78 x 78.4							
Total displacement	1123				1261				1498									
Rated speed	2500																	
Muffler and exhaust pipe	Fully enclosed																	
Air cleaner	Dry paper element																	
Fuel tank capacity	ℓ		27															
<b>Drive train</b>																		
Driving method	4WD																	
Transmission speeds	F9/R9		Infinite (3 ranges)				F9/R9		Infinite (3 ranges)									
Bi-speed turn	Standard																	
Differential lock	Standard																	
Brake type	Multi plate wet disc																	
<b>Travelling speeds</b>																		
Forward	Farm tyre	km/h	0-20.11		0-21.68		0-21.35		0-23.01		0-24.48							
	Turf tyre	km/h	0-18.53		0-19.98		0-20.31		0-21.89		0-25.29							
Reverse	Farm tyre	km/h	0-18.39		0-17.34		0-19.52		0-18.41		0-19.58							
	Turf tyre	km/h	0-16.95		0-15.98		0-18.57		0-17.51		0-20.23							
<b>PTO</b>																		
Rear PTO	Type	Transmission-driven		Independent				Transmission-driven		Independent								
	Speed	rpm	540															
Mid PTO*	Speed	rpm	2500															
Mid/Rear separate and simultaneous PTO selection	Standard																	
<b>Hydraulics</b>																		
Pump capacity	ℓ/min		33.1															
Lift control type	Position																	
Lift capacity	Link end	kg	970															
Max. operating pressure	kg/cm <sup>2</sup>		165															
3-point hitch	Category I																	
Auxiliary remote control valve	1 standard (Single action)		2 valve (Dual action) [M.F.V.]				1 standard (Single action)		2 valve (Dual action) [M.F.V.]									
Hydraulic outlets	2 places (Mid & Rear)																	
Hydraulic cylinder for mower lifting	Standard on mower deck																	
Steering	Hydraulic power steering																	
<b>Dimensions</b>																		
Overall length (with 3P)	mm		2730		2887		2730		2887		2937		3007					
Overall width (min. tread)	Farm/Turf mm		1234/1404				1249/1372				1365/1397							
Overall height (with ROPS)	Farm/Turf mm		2327/2295		2087/2054		2353/2331		2112/2091		2327/2343		2140/2156					
Wheelbase	mm		1500		1560		1500		1560		1666							
Tread (Farm/Turf)	Front	mm	832/873				830/871				936/971							
	Rear	mm	986/1056				1006/1056				1050/1050							
Ground clearance	Farm/Turf mm		265/232				290/269				318/334							
Turning radius with brake	m		2.1															
Standard tyre	Front: Farm/Turf		6-12/22 x 8.50-12				6.00-12/24 x 8.50-12				180/85D12/24 x 8.50-12							
	Rear: Farm/Turf		9.5-16/31 x 13.5-15				9.5-18/315/75D-15				12.4-16/13.6-16							
Weight	Farm/Turf kg		755/750		785/780		1015/1010		755/750		785/780		1015/1010		845/855		1065/1075	

\*1 Manufacturer's estimates

The company reserves the right to change the above specifications without notice.

For your safety, KUBOTA strongly recommends the use of a Rollover Protective Structure (ROPS) and seat belt in all applications.

Mower deck can not be attached to the tractor with farm tyre 6.00-12, 9.5-18. Model availability varies in each country.

## Fluorinated greenhouse gases

Air conditioner gas contains fluorinated greenhouse gases.

CAB model	Industrial designation	Quantity (kg)	CO <sub>2</sub> equivalent (ton)	GWP
B2231/2261/2311	HFC-134a	0.68	0.972	1430

(Global Warming Potential: GWP)



**KUBOTA (U.K.) LIMITED**

Dorner Road Thame, Oxfordshire, OX9 3UN.  
Phone (01844) 268000

[www.kubota.co.uk](http://www.kubota.co.uk)



©2018 Kubota Corporation



Cat.No.4346-00-UK Printed in the UK. D.REX.'18-JULY.